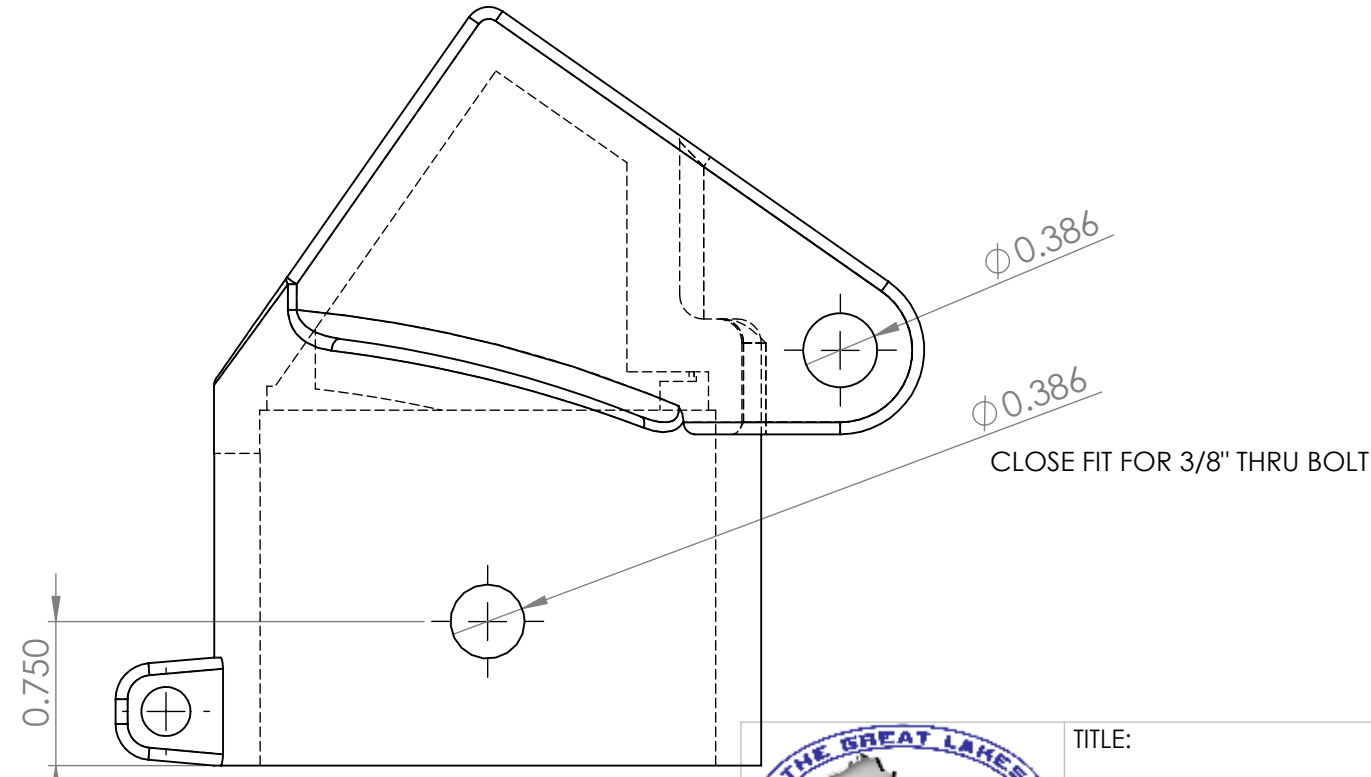
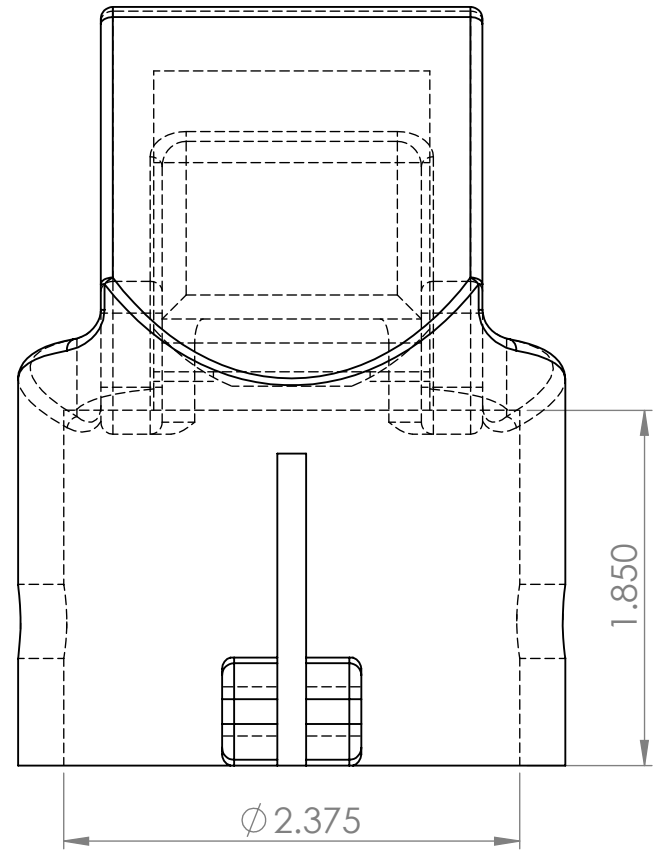
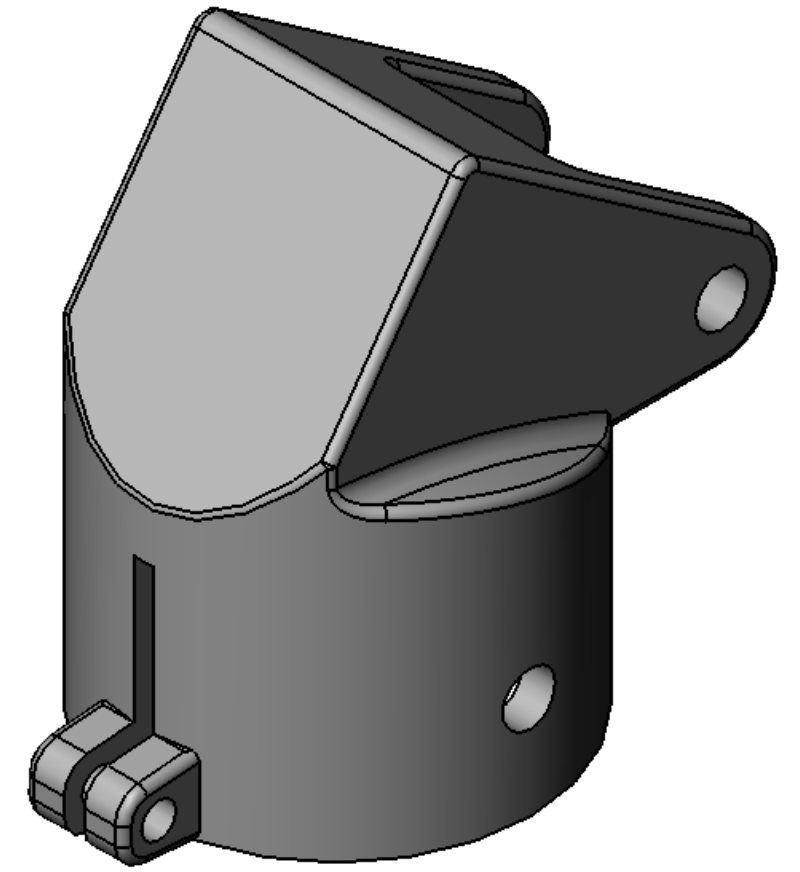


THRU HOLE MUST BE DEAD PERPENDICULAR TO FORE/AFT CENTERLINE OF TILLER HEAD



REVISION	DATE	UNLESS OTHERWISE SPECIFIED: DIMENSIONS ARE IN INCHES FRACTIONAL ± 0.005 " ANGULAR: MACH ± 0.1 MATERIAL
A		
B		
C		FINISH

DRAWN: T. McNEILL DATE: DO NOT SCALE DRAWING



TITLE: TILLER HEAD, T-10, 316SS CASTING	
SIZE B	PART NUMBER RIV-001
SCALE: 1:1	WEIGHT: SHEET 1 OF 1